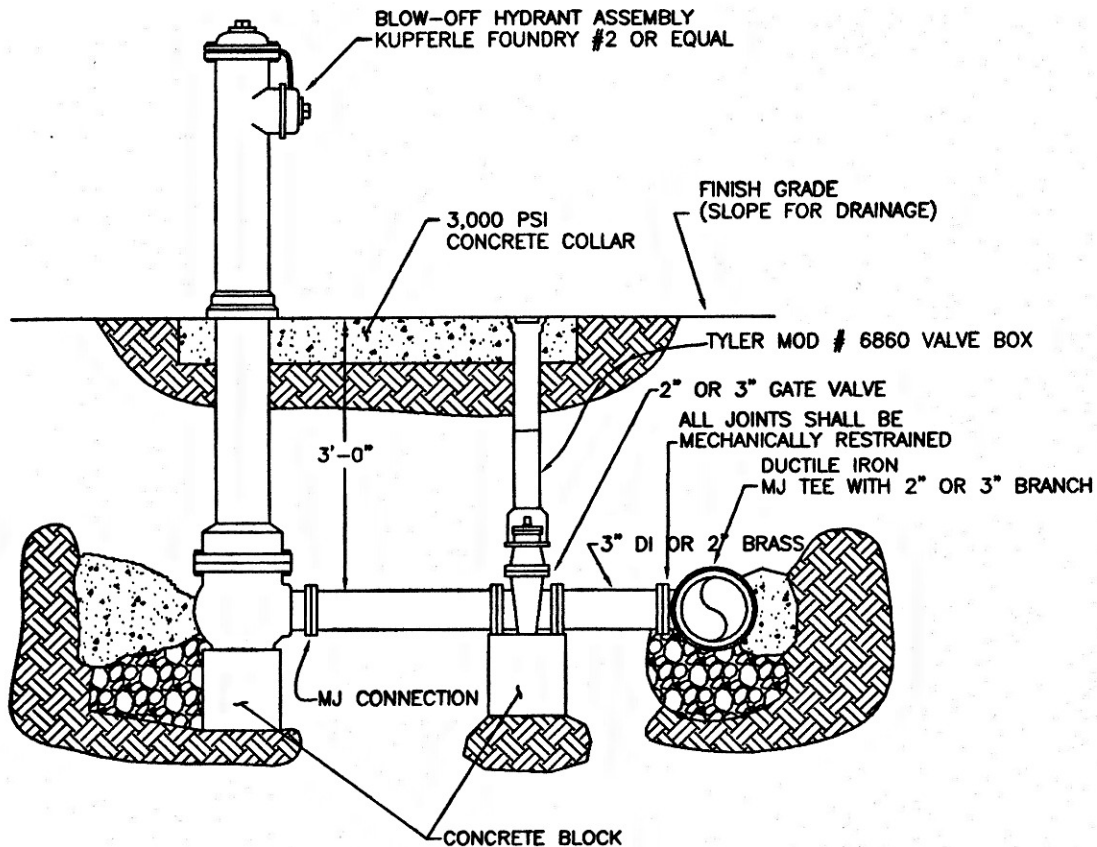


Figure 23. Blow-off Hydrant



HYDRANTS SHALL BE SELF-DRAINING, NON-FREEZING, COMPRESSION TYPE WITH 2-3/16" MAIN VALVE OPENING. INLET CONNECTION SHALL BE 3" MJ. OR 2" FIP . OUTLET SHALL BE 2 1/2" NST

HYDRANTS SHALL HAVE A 3" DUCTILE IRON PIPE RISER WITH A CAST IRON STOCK TOP, AND NON-TURNING OPERATING ROD. PRINCIPAL INTERIOR OPERATING PARTS SHALL BE BRASS AND REMOVABLE FROM THE HYDRANT FOR SERVICING WITHOUT EXCAVATING THE HYDRANT. AND WITHOUT THE NEED FOR SEAT REMOVAL WRENCH.

CONCRETE THRUST BLOCKING BEARING AGAINST UNDISTURBED SOIL, DRAIN HOLES SHALL BE CLEAR OF CONCRETE.

PROVIDE TAR PAPER BETWEEN HYDRANT AND HYDRANT THRUST BLOCKING.

ALL THRUST BLOCKING AND SUPPORTING CONCRETE SHALL BE 2500 PSI.

ROCKBRIDGE COUNTY #2 BLOW-OFF HYDRANT

KUPFERLE FOUNDRY ECLIPSE